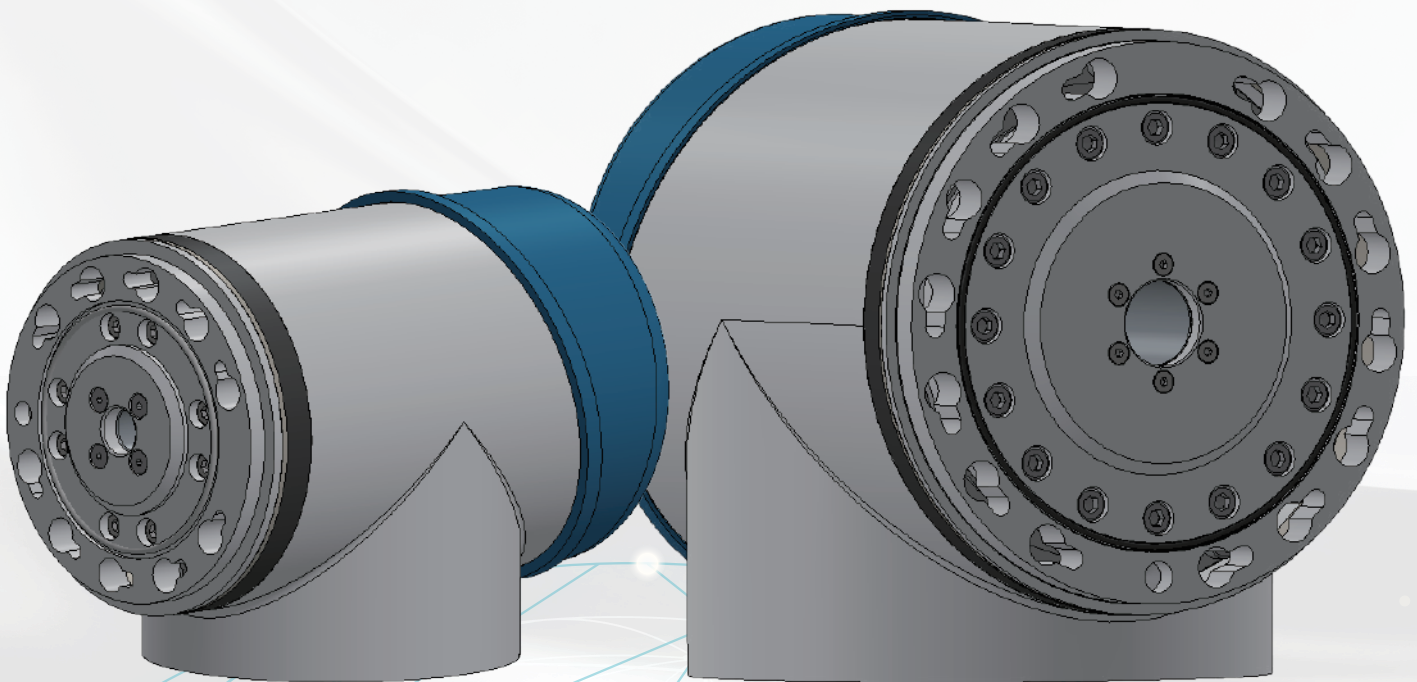
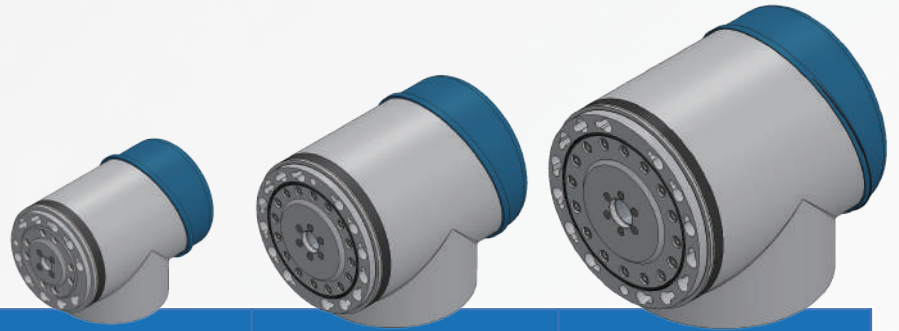


Joint Module

Providing freedom and flexibility for various applications from robot builders to industrial automation.



JM Series Specification



Models	JM14	JM25	JM32
Outer diameter x length (mm)	Ø80 x 125	Ø120 x 160	Ø150 x 180
Weight(kg)	1.7	4.5	8.2
Motion range of module	± 360°		
Brake type	Pin brake		
Motor power(W)	150	450	1000
Reduction speed ratio	100	120	120
Reducer Parameters			
Rated speed(rpm)	50	25	25
Rated torque(Nm)	10	87	178
Average load torque(Nm)	14	122	249
Momentary torque(Nm)	25	218	445
Supply voltage(V)	DC 48V		
Electrical Parameters			
Communication protocol	EtherCAT		
Absolute encoder resolution	19bit	20bit	
Encoder accuracy	± 25"		
Ingress Protection	IP54		
Working temperature	0°C~50°C		